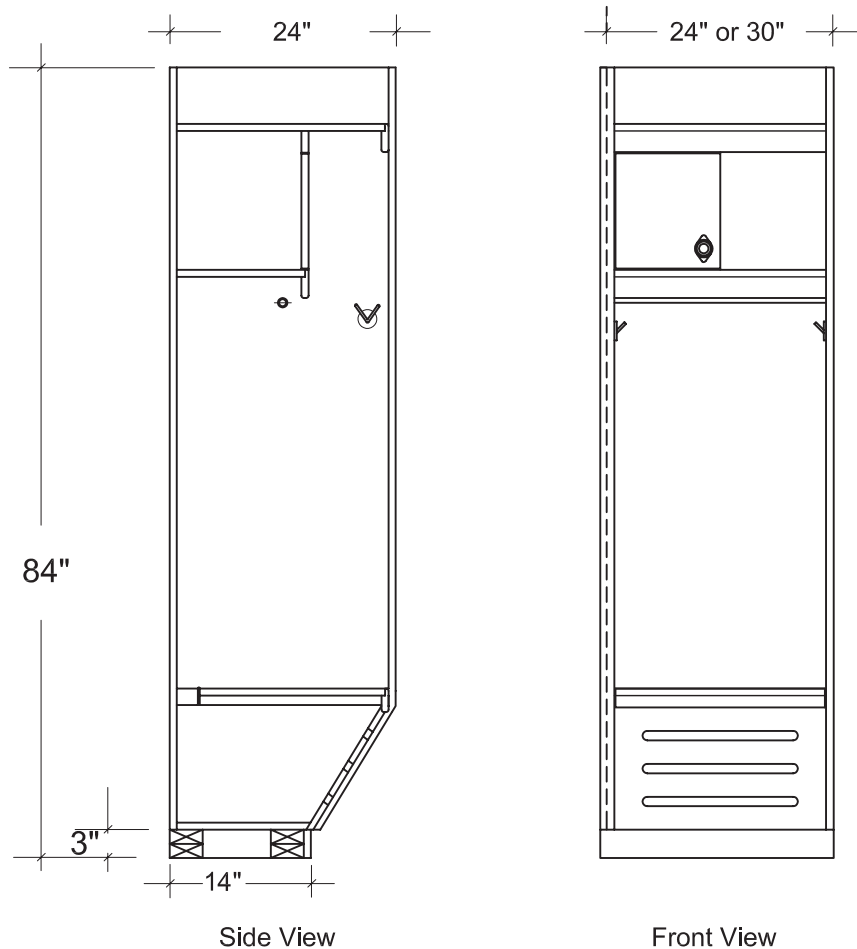


RECRUITER ALL-WOOD SPORT LOCKER INSTALLATION INSTRUCTIONS



General Instructions

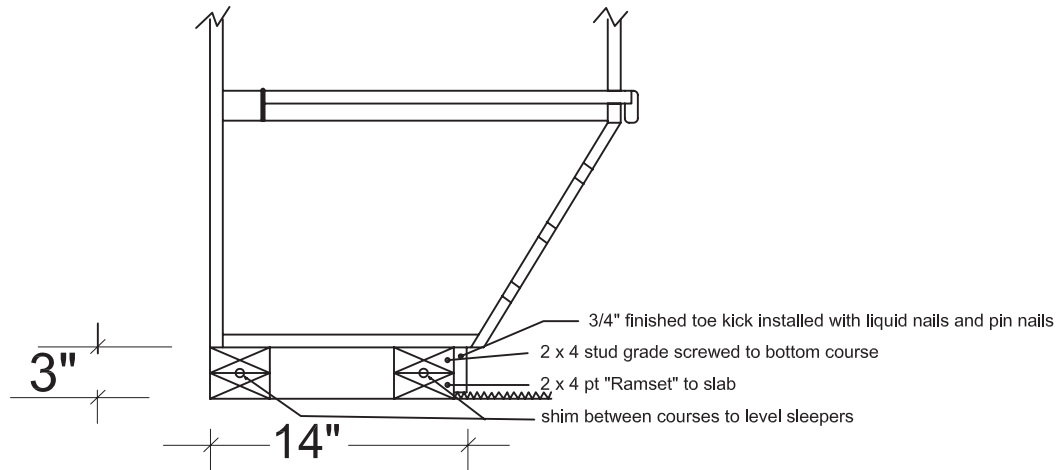
1. Check material received against the packing list. First check the number of packages received and then check the contents of each package.
2. Check material received for damage. If damage has occurred, secure the "damage notation" from the carrier.

CAUTION

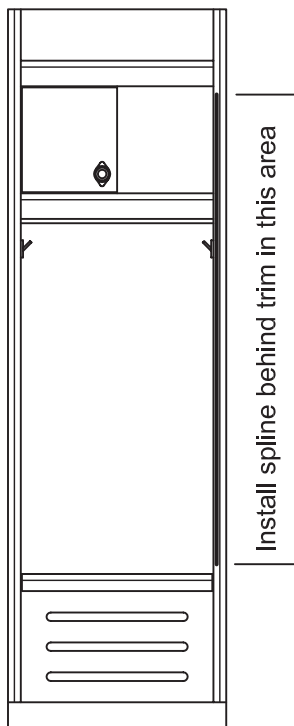
IN THE INTEREST OF SAFETY, ALL LOCKERS MUST BE SECURELY ANCHORED TO THE FLOOR AND/OR WALL. FOR SAFETY, HANDLE ALL COMPONENT CAREFULLY AND WEAR WORK GLOVES WHEN ASSEMBLING LOCKERS. INSTALL ALL UNITS PLUMB AND TIGHTEN ALL HARDWARE SECURELY. RETAIN INSTRUCTIONS FOR FUTURE REFERENCE.

RECRUITER INSTALLATION INSTRUCTIONS

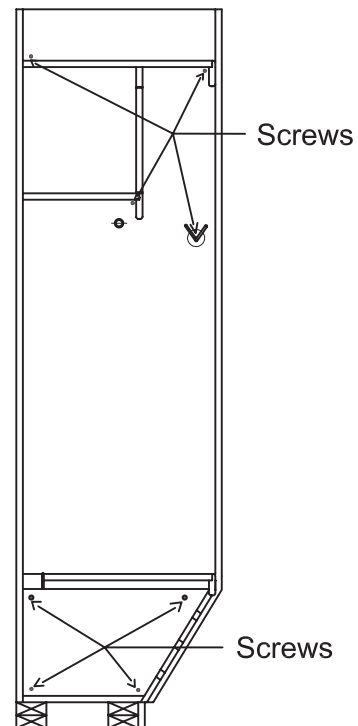
1. Install wood sleepers (by others) (see detail A).
2. Install lockers from left to right. If applicable, install left end panel prior to placing first locker.
3. Anchor lockers to wall (inside every second security box to conceal fastener) and sleeper base.
4. Interlock subsequent lockers with face trim splines (see detail B).
5. Fasten each adjacent locker using blind screw locations (see detail C). End panels use same locations for fastening.



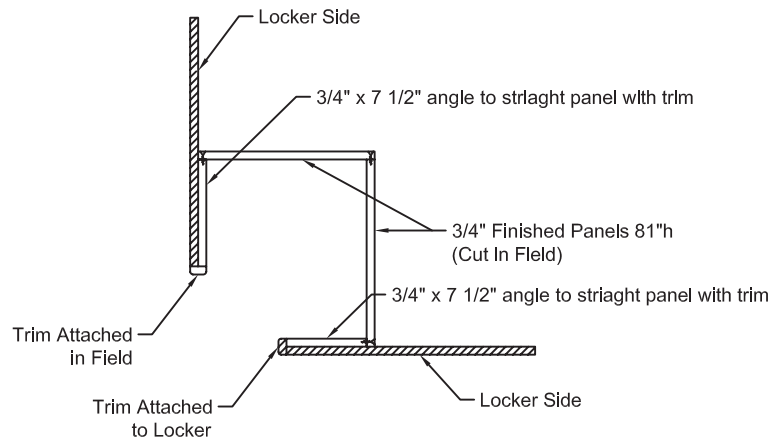
DETAIL A: Sleeper Layout (section view)



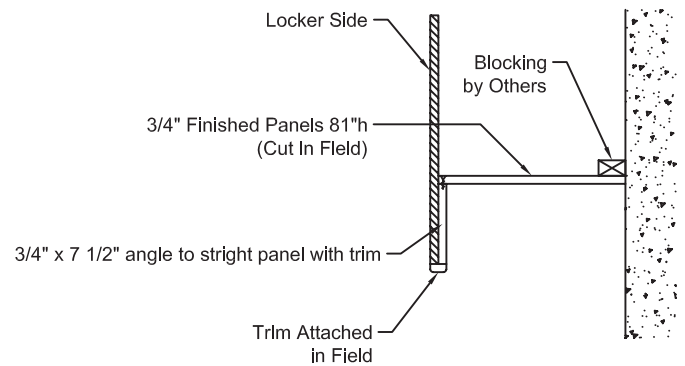
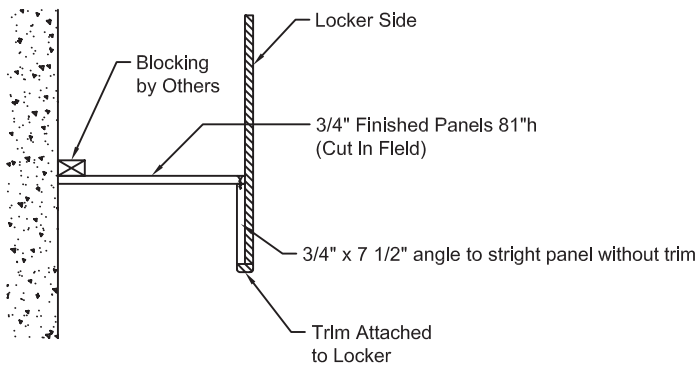
DETAIL B: Spline location



DETAIL C: Blind screw locations

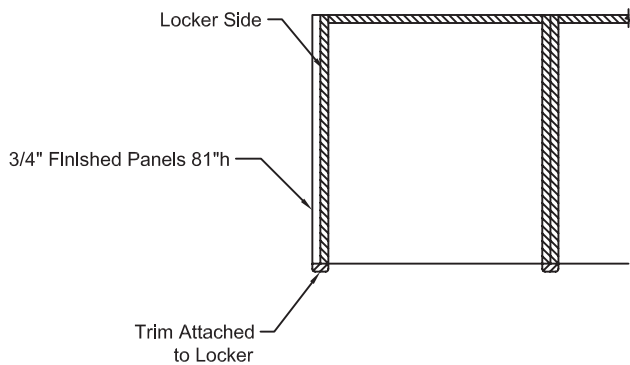


1 CORNER FILLER

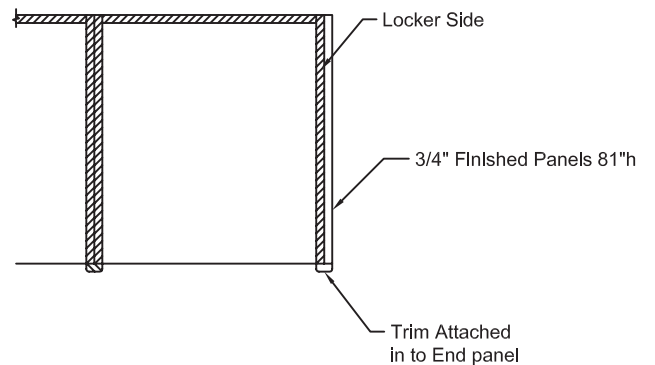


2 LEFT FRONT FILLER

3 RIGHT FRONT FILLER



Attach/fasten end panels using blind screw locations (see Detail C)



Attach/fasten end panels using blind screw locations (see Detail C)

4 LEFT END PANEL

5 RIGHT END PANEL



800-776-1342

www.ListIndustries.com